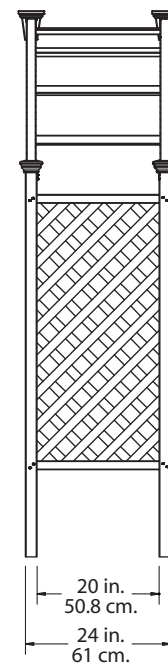
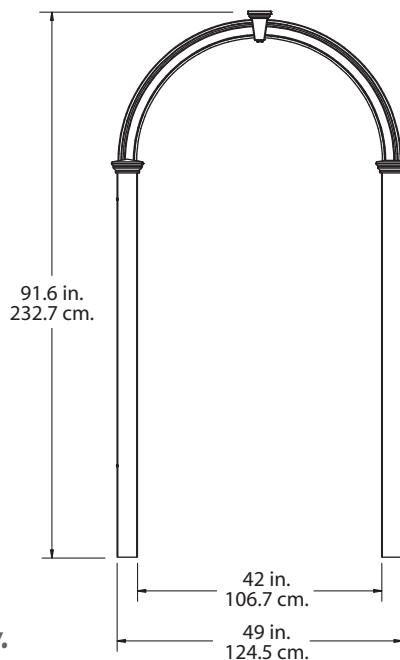
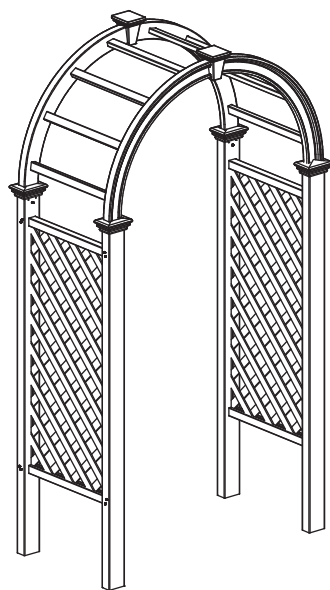


ASSEMBLY INSTRUCTIONS

Eden™

Enduring Garden Architecture
www.edenarbors.com

The Livingston Arbor



Please read through before starting assembly.

IMPORTANT: CHECK THE INSIDE OF YOUR POSTS FOR ALL MATERIALS.

Check Box for These Contents

In the event of missing or defective parts please call our customer service dept. at **1 800 282 9346, ext #20** (Mon. to Fri. 8:00 AM to 4:00 PM EST).

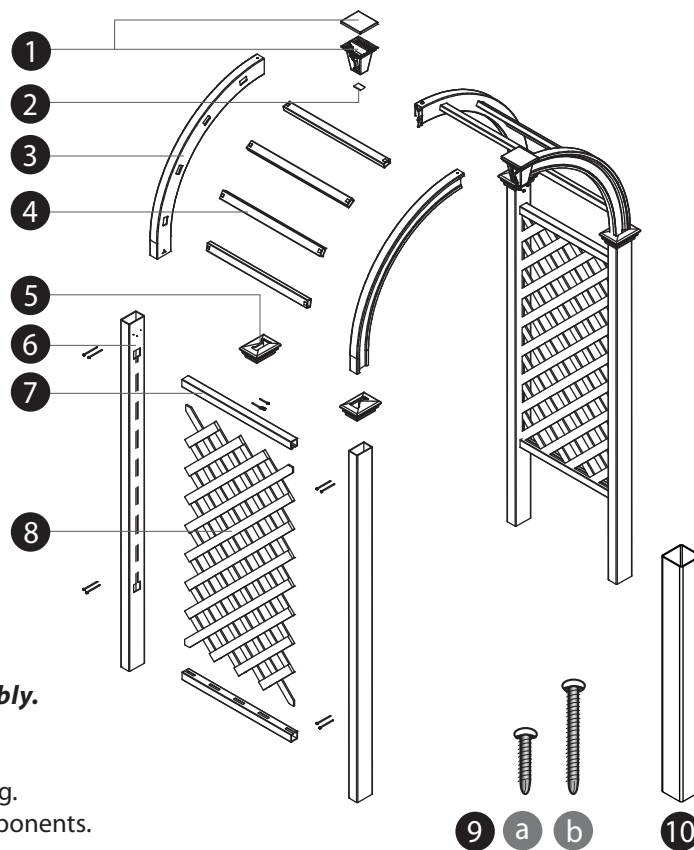
1. Arch Keystone & Lid (2)
2. Keystone Bottom Plate (2)
3. Arches (4)
4. Arch Rafters (8) 7/8" x 1 1/2" x 21.82"
5. Post Caps (4)
6. Posts (4) 2" x 3 1/2" x 65.8"
7. Side Panel Horizontal Rails (4) 1 1/2" x 1 1/2" x 23.75"
8. Lattice (2)
9. Hardware (in plastic bag)
 - a) 1 1/2" Self-Auguring Screws (16 for Arch to Posts & Keystones)
 - b) 3" Self-Auguring Screws (16 for Side Panels, 8 for ground stakes)
10. Ground Stakes (4) 1 3/4" x 1 3/4" x 15"

Tools You Will Need

- Cordless Drill
- Hammer
- Tape Measure
- Level
- Stool or Short Ladder
- Shovel

General Information

- **Read Instructions through carefully before beginning assembly.**
- When assembling components, place on a non-abrasive surface (i.e. shipping box) to avoid scratching.
- We recommend an area approx 10'x 8' for unobstructed assembling.
- You should not need to use excessive force when assembling components.



9 a b 10

Not to Scale

STEP ONE

Assemble the Arch System

1

Insert arches into arch keystone ensuring they terminate flush to the internal connector. Ensure that the "R" and "L" identifications are located at the bottom of the arch assembly. The tabs protruding out of the internal connector should fit outside the arches. Ensure that the arches are orientated properly as per illustration.

2

Fasten the arch system to the keystone by installing the small (1 1/2 in./3.8 cm.) screws into the two pre-drilled holes provided. (No predrilled holes in arches)

3

Invert the arch system and install two small (1 1/2 in./3.8 cm.) screws from the bottom of the keystone into the two pre-drilled flanges on either side of the bottom of the insert. This will connect the bottom of the arches to the insert.

4

Seal the bottom hole on the keystone by inserting the bottom plate as provided.

5

Install the top cap on the arch keystone. Push down firmly so the cap locks into position.

6

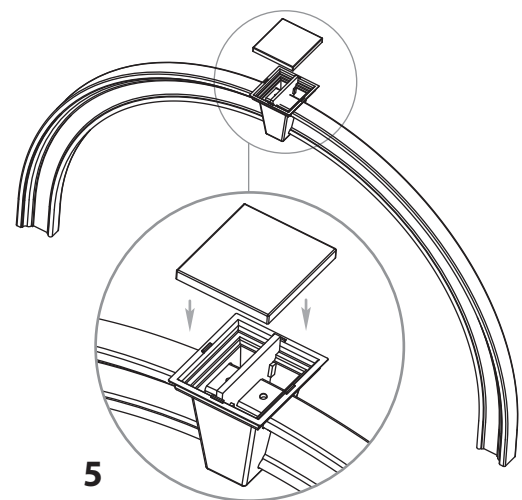
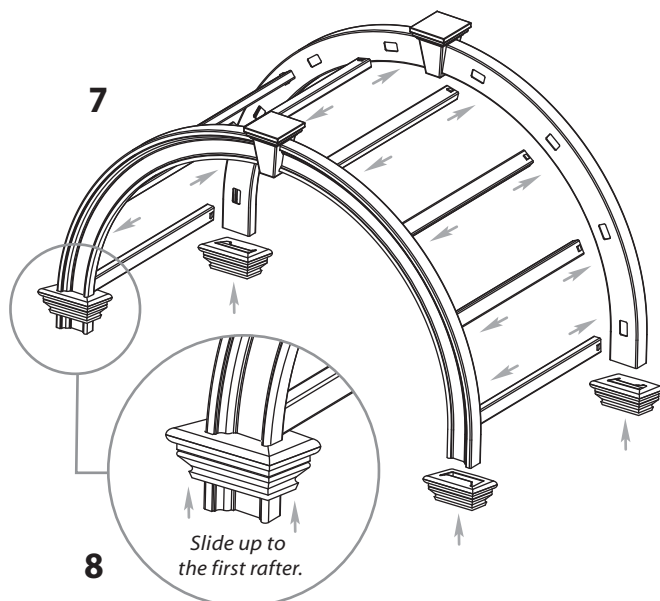
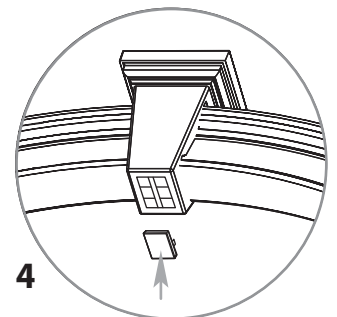
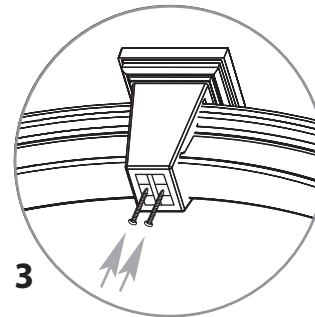
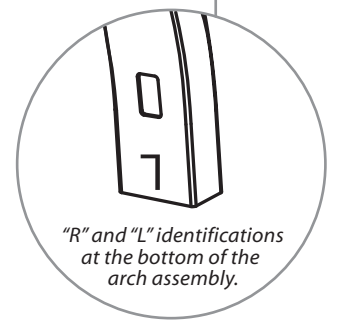
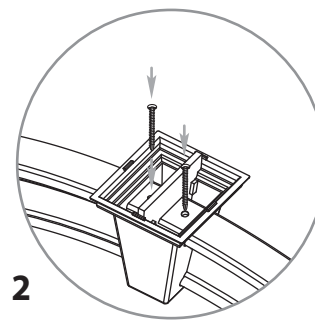
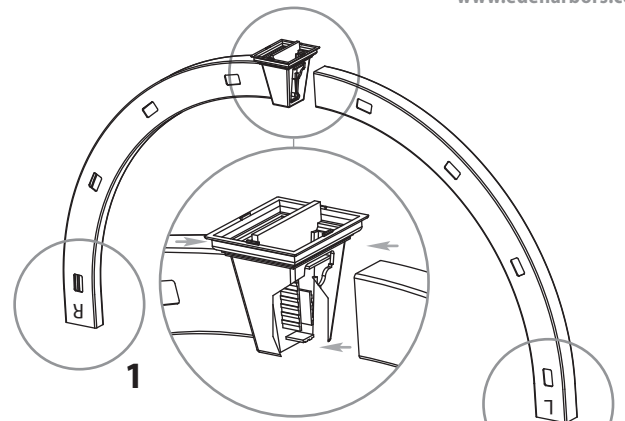
Repeat for other arch.

7

Insert arch rafters (8) into the holes on the arches until they bottom out inside the arches. There are "locking tabs" located at each end of these rafters that once inserted into the holes will lock into place.

8

Install post caps on the bottom of all arches. Slide up into temporary position until they hit the first rafter.



STEP TWO

Assemble the Side Panels

1

Lay out one of the posts with the holes facing upwards.

2

Fit the side panel horizontal rails over both ends of the lattice.

3

Insert the side panel horizontal rails and lattice into the posts.

4

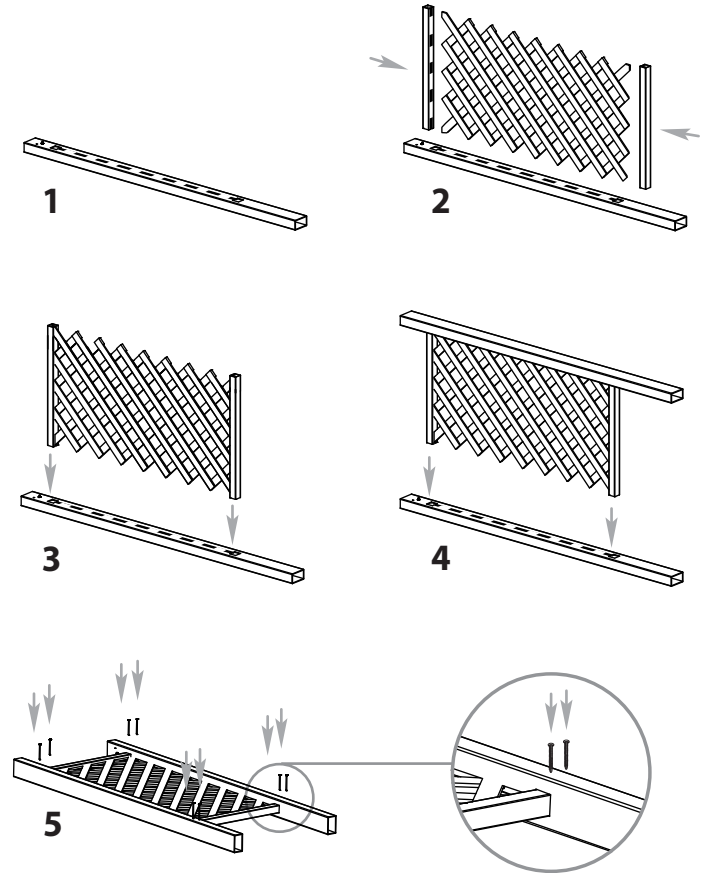
Flip the post and lattice over and insert the rails and lattice into the opposite post.

5

Secure horizontal rails into the posts using long 3" screws.

6

Repeat for other side panel.



STEP THREE

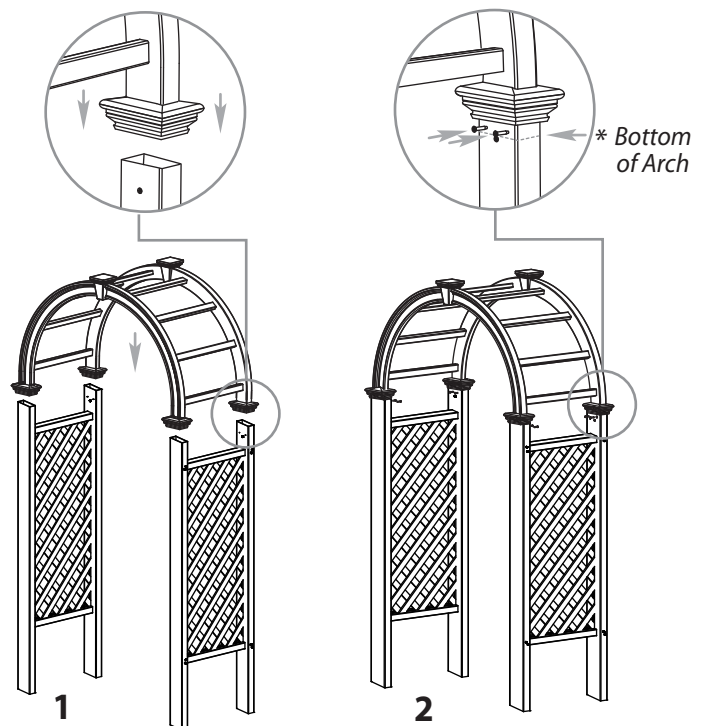
Connect Arch System to Side Panels

1

Insert the assembled arch into the top of all four posts until the arch bottoms rest on top of the "stopper" bolts. You will need a helper.

2

Pull the post caps down into final position over the posts and fasten the arch system to the posts by installing 2 short (1 1/2 in./ 3.8 cm.) screws per post as illustrated.



STEP FOUR

A Temporary Arbor Installation

Arbors must be well secured to prevent tipping over from wind load etc. We have provided four ground stakes for securing the arbor in a temporary application like a wedding, etc. These stakes are not designed to permanently mount your arbor.

If you are installing your arbor on concrete or a wood deck, visit your hardware store to purchase the appropriate galvanized bracketing hardware.

Into Earth for Temporary Installation

1

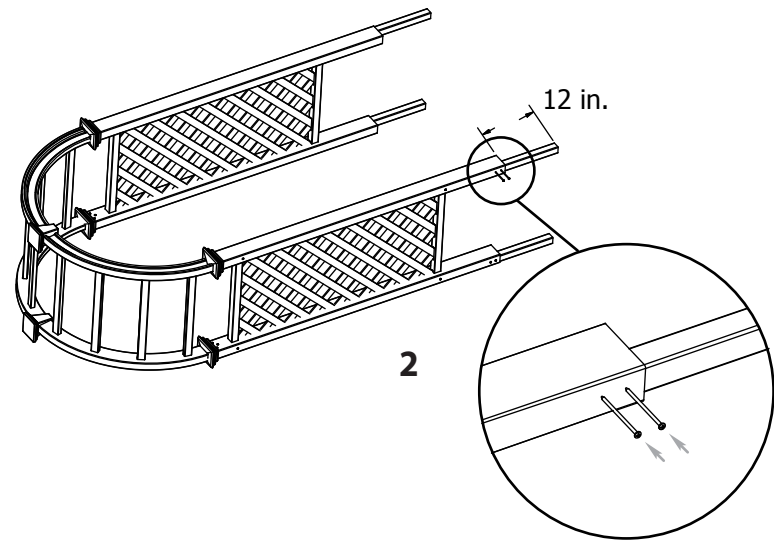
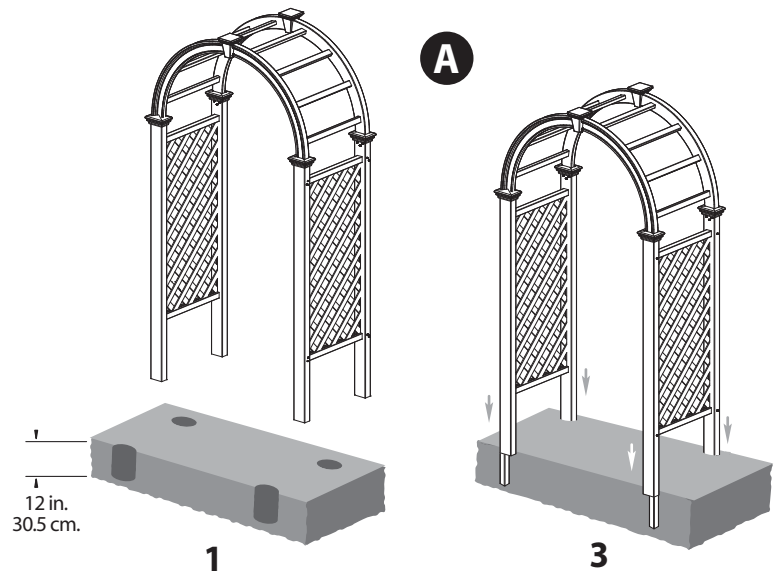
Move the arbor to its final location (you will need a helper). When you are satisfied with the location, mark the positions of the posts, then move the arbor aside and lay it carefully on it's side. Excavate 4 holes approx 12 in. (30.5 cm) deep.

2

Fasten the supplied ground stakes 3 in. into the bottom of the post with two 3 in. screws as shown. The ground stakes should extend 12 in. off the bottom of the post.

3

Carefully move the arbor back into position and level it both vertically and horizontally. Backfill the holes with the excavated soil to cover the anchors.



B Permanent Arbor Installation

Into Earth For Permanent Installation STRONGLY RECOMMENDED

1

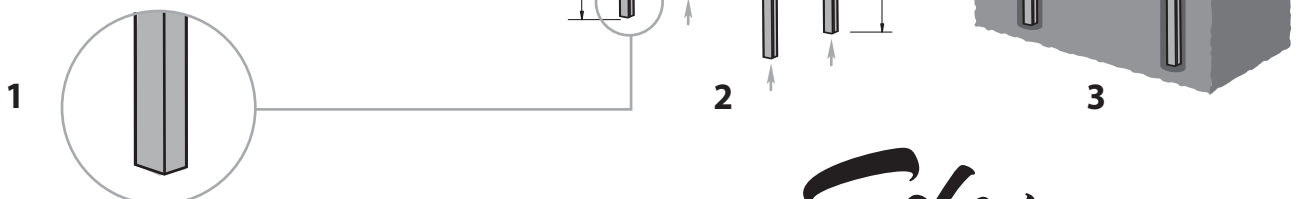
To permanently install your arbor more securely, extend the posts as illustrated with pressure-treated 2"x4" lumber - **purchase separately**. Wood will have to be shaved down to 3 1/4 in. (8.25 cm.) on one side to fit snugly and cut to 46 in. (116.9 cm.) in length to fit up the inside of the vinyl posts.

2

Insert into the bottom of all four posts until they hit the bottom rail of side panel. The wood should extend out the bottom of the vinyl post about 36 in. (91.5 cm.).

3

Fasten accordingly with screws and install either directly into the ground or into a concrete footing.



Wood inserts will need to be custom cut down to size: 3 1/4 in. (8.25 cm.) on one side. **Purchase separately.**

EdenTM
Enduring Garden Architecture